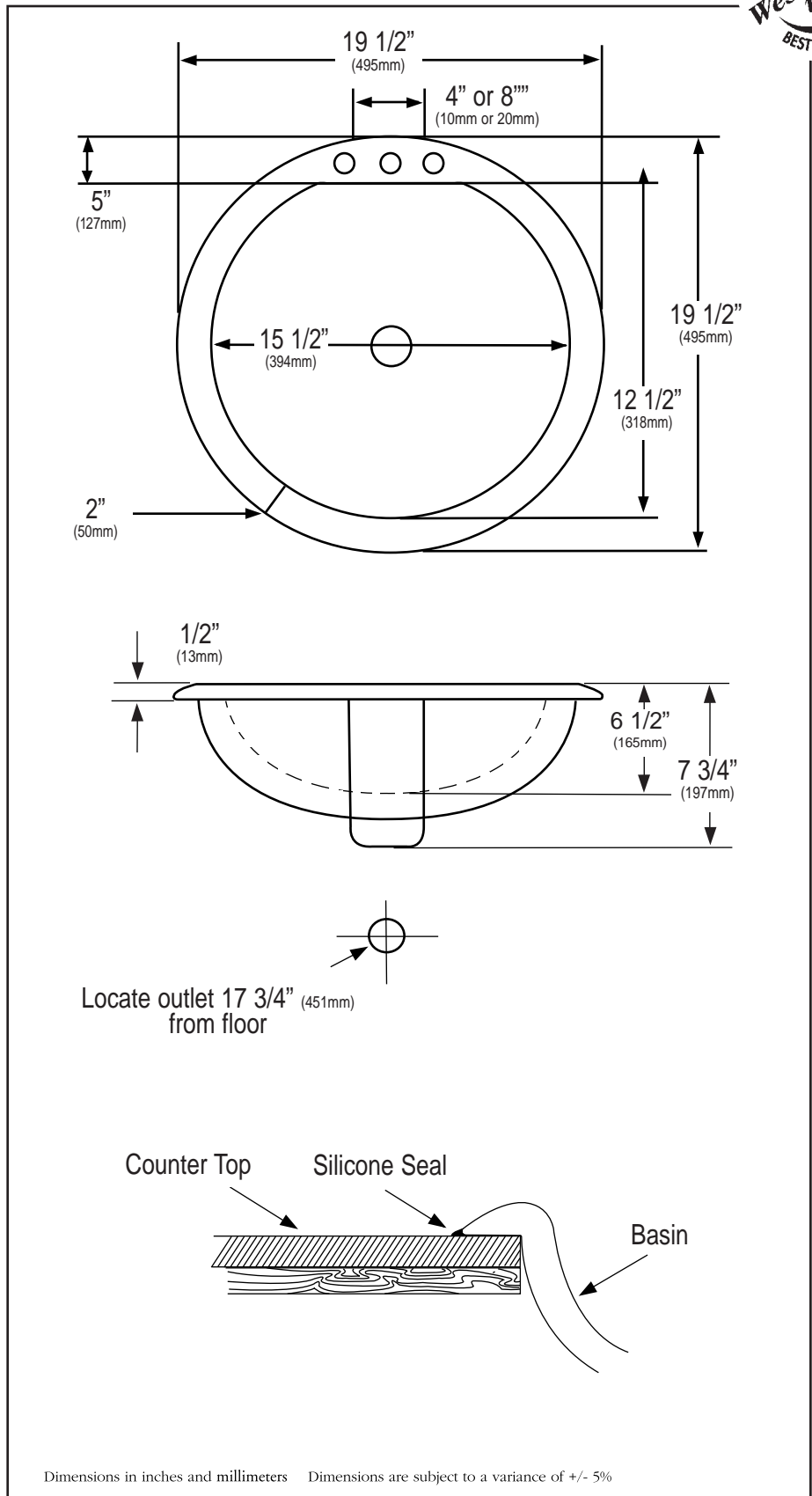


# Manhattan 190



## PHYSICAL PROPERTIES

Model: 190-4/8  
 Width: 19 1/2" (495mm)  
 Depth: 19 1/2" (495mm)  
 Shipping Weight: 19 lbs (8.6kg)  
 Shipping Cube: 1.98 (0.06m<sup>3</sup>)  
 Mounting Hardware: None



## TECHNICAL NOTES:

- 19 1/2" Round self-rimming counter top lavatory.
- 1/4" larger than standard - ideal for concealing old installations.
- Low profile for easy counter wiping.
- Our Accu-tru™ low warpage edge means that the Manhattan basin fits every countertop accurately.
- 4" and 8" centers.
- Available in Ivory Bone, Cashmere and Western White.
- IAPMO® listed, CITY of LOS ANGELES NEW YORK STATE and NSF APPROVED.

4" Model # L190-4 - W, B or C

8" Model # L190-8 - W, B or C



WP Industries, Inc.

Toll Free: 877-WPWORKS

email: [info@wpindustries.com](mailto:info@wpindustries.com) / website: [www.wpindustries.com](http://www.wpindustries.com)

US Sales and Service

Canadian Sales

Phone 562.229.0910

Phone 604.688.2464

Fax 562.229.0930

Fax 604.688.0097